

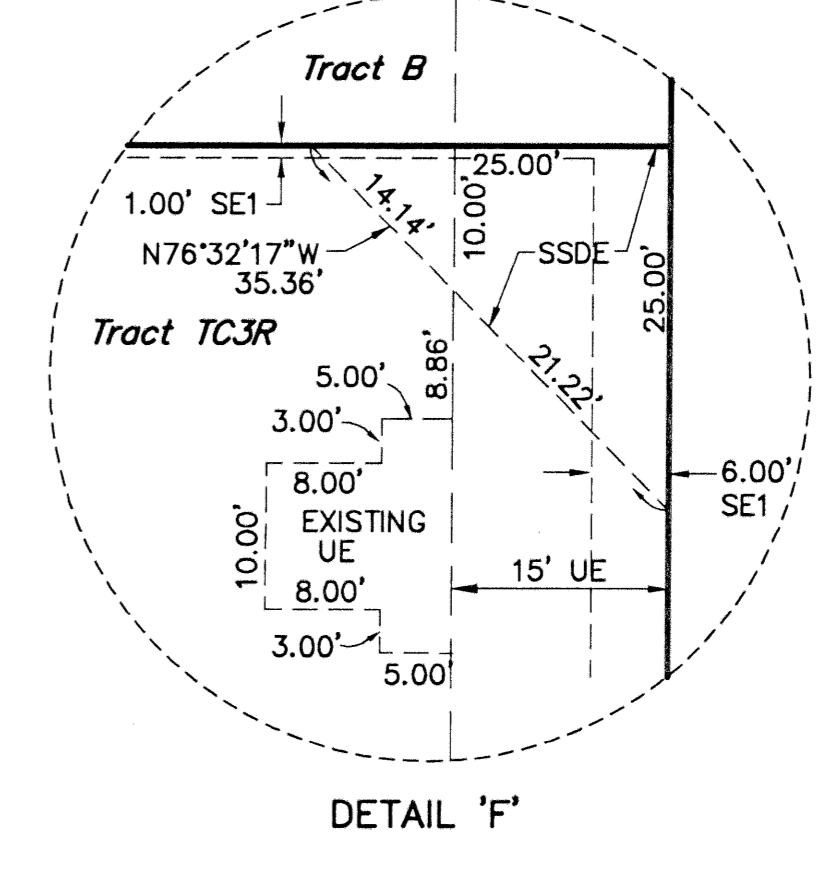
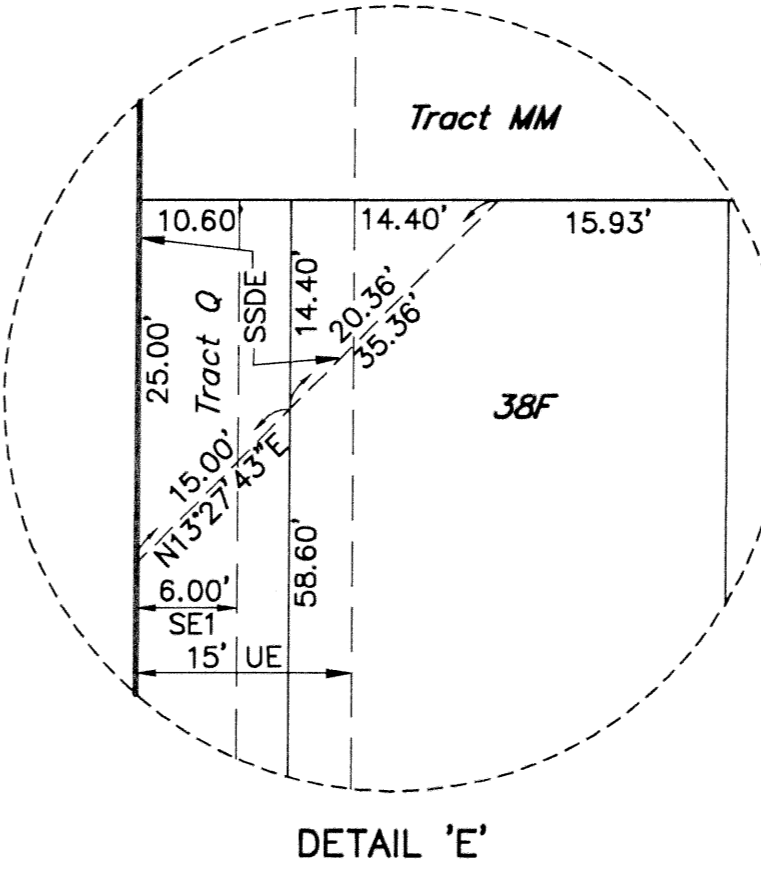
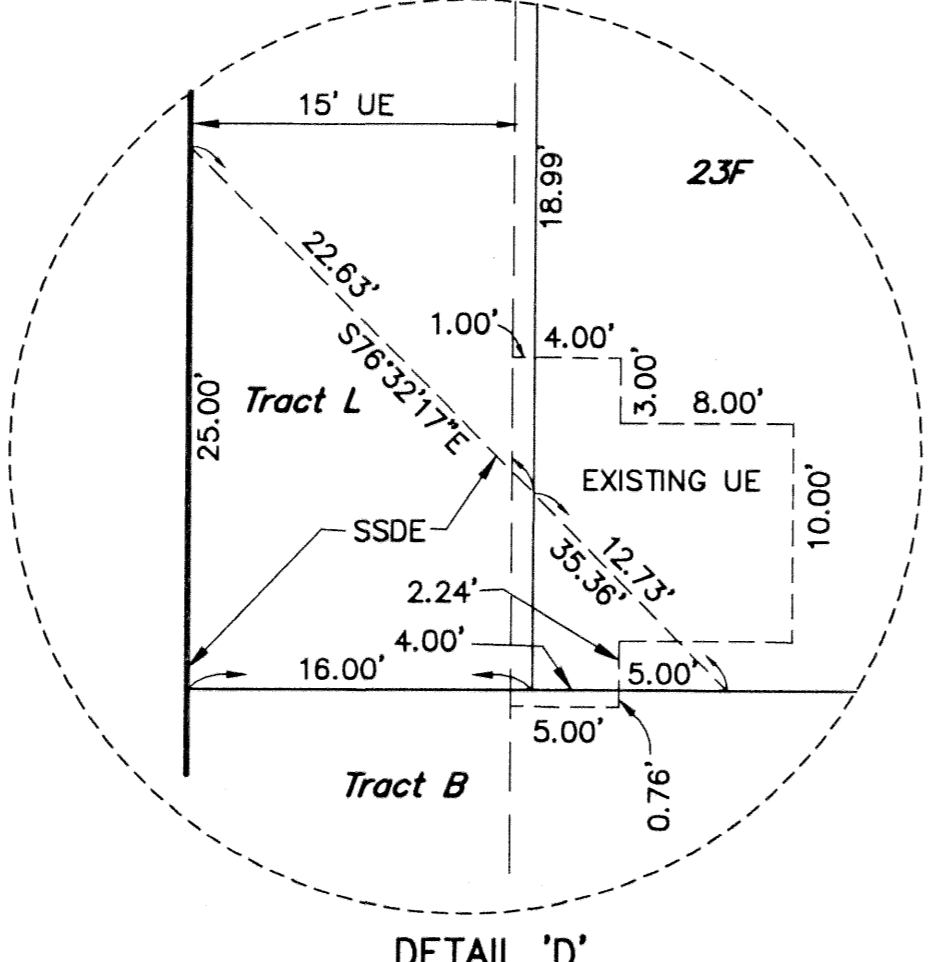
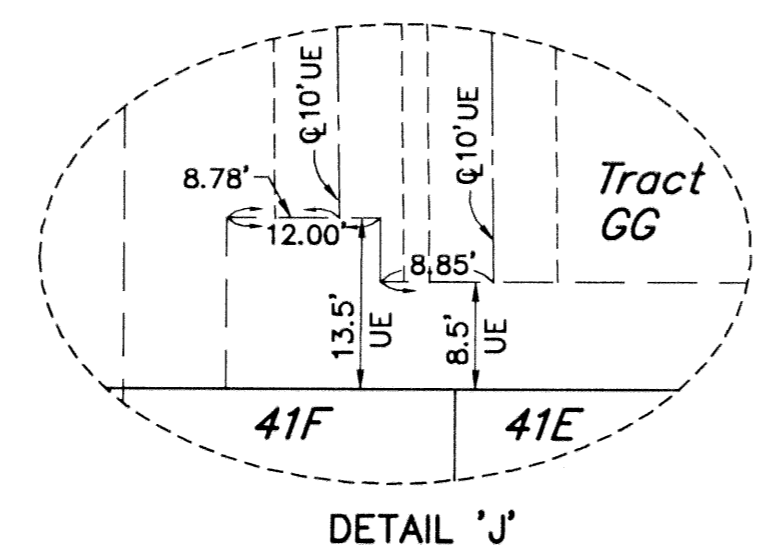
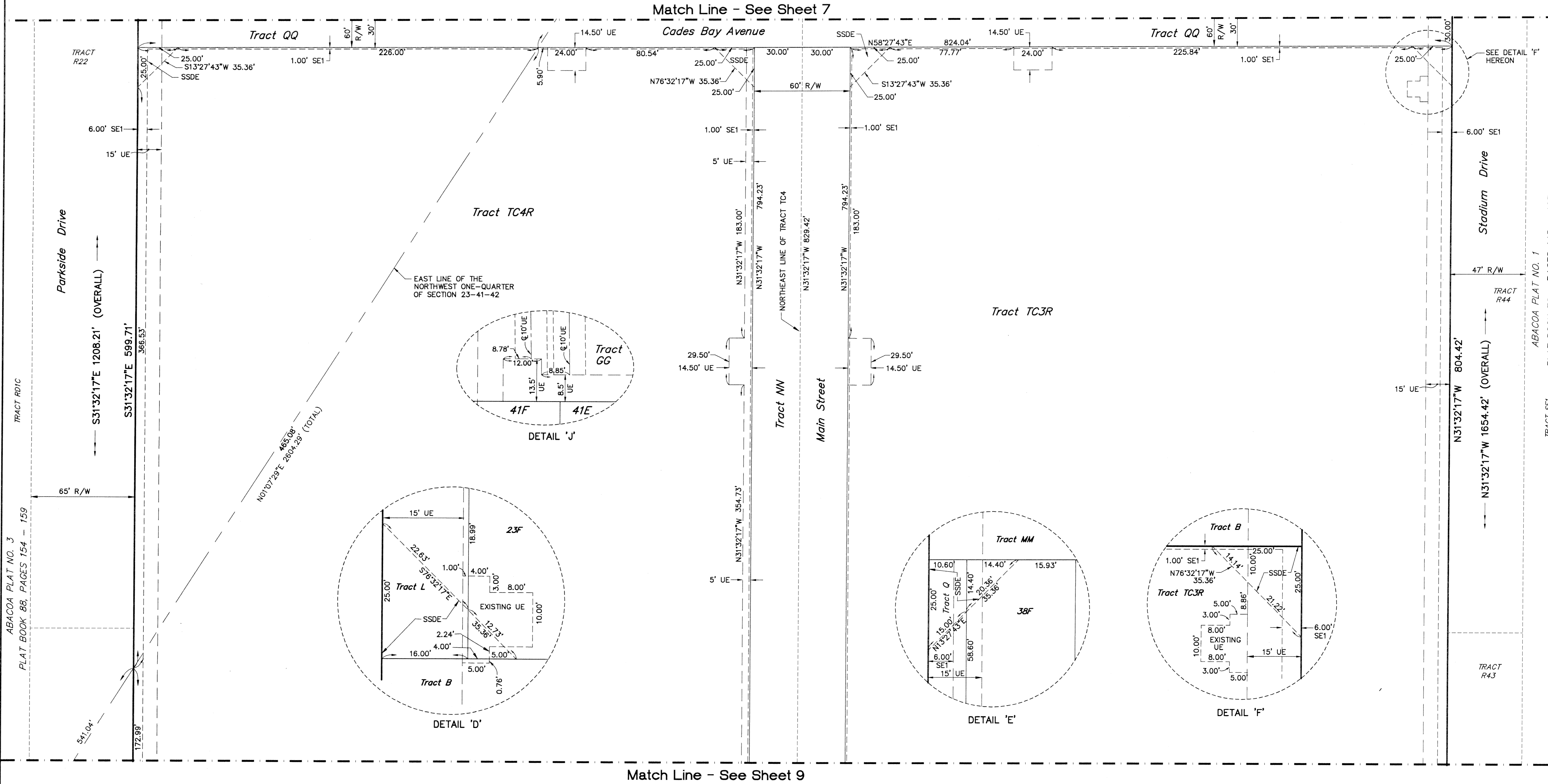
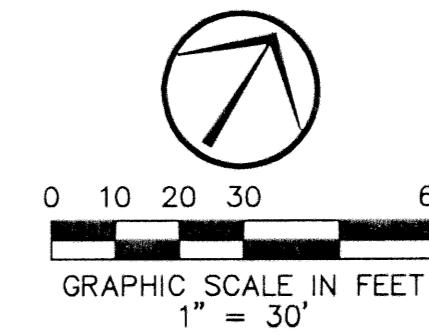
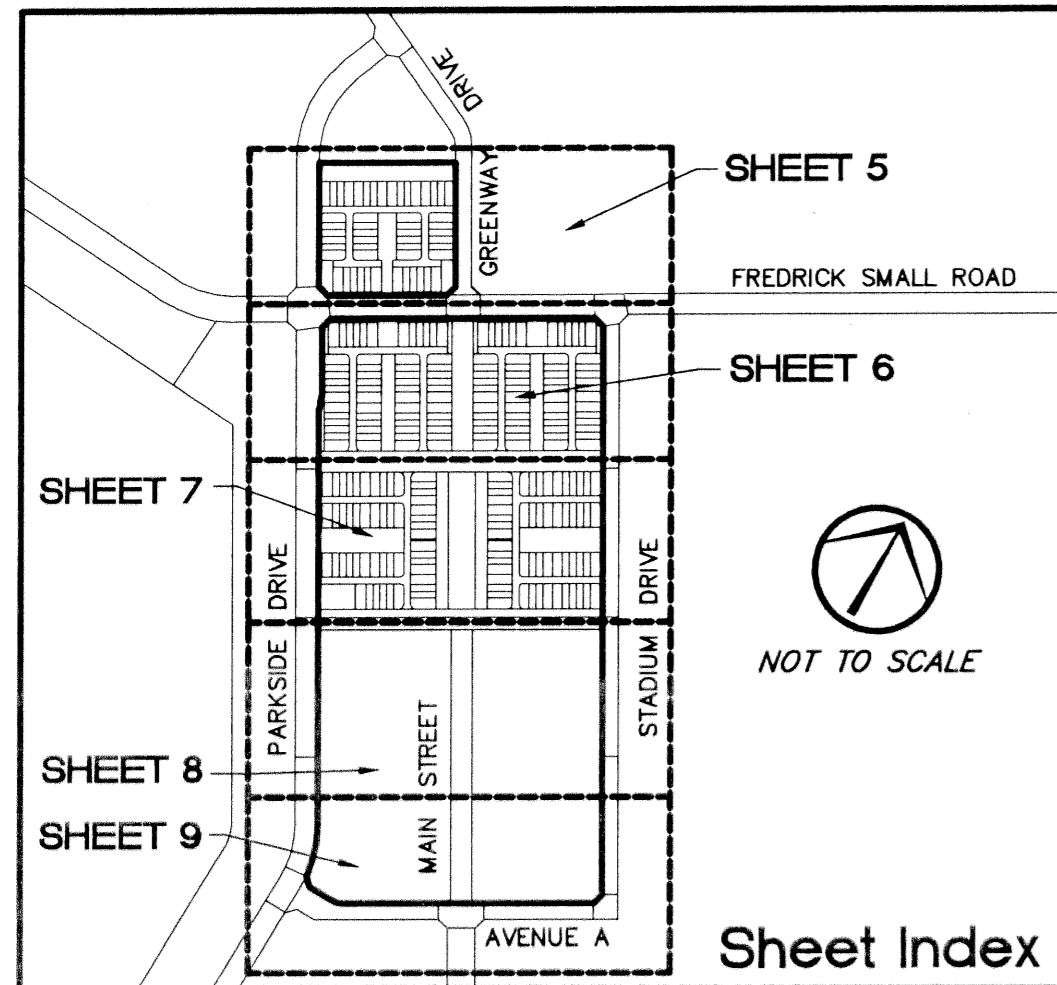
ABACOA TOWN CENTER PLAT NO. 3

A Replat of all of Tracts TC1, TC2, TC3 and TC4 of Abacoa Plat No. 1, as recorded in Plat Book 78, Pages 145 through 163, inclusive, and Tract TC5R of Abacoa Plat No. 3, as recorded in Plat Book 88, Pages 154 through 159, inclusive, lying in the Town of Jupiter, Palm Beach County, Florida Section 23, Township 41 South, Range 42 East

This instrument prepared by James C. Jackson of Williams, Hatfield & Stoner, Inc.
1901 South Congress Avenue, Boynton Beach, Florida 33426
Authorization No. LB-26

February, 2003

Sheet 8 of 9



ABACOA PLAT NO. 3
PLAT BOOK 88, PAGES 154 - 159

TRACT SFT
ABACOA PLAT NO. 1
PLAT BOOK 78, PAGES 145 - 163